

9

CT, MRI & Interventional Products



At Thermo Fisher Scientific we offer specialised products to cater to the individual product requirements of various imaging modalities.

Our range includes interventional and biopsy products as well as MR Safe equipment.

Gallini Products



Sialography Sets

Catalogue Number	Description	Unit
GLNS.SIA-25	Sialography set 25g needle with tubing	10/Box
GLNS.SIA-27	Sialography set 27g needle with tubing	10/Box

Features

- Atraumatic round blunt needle tip
- Sharpened bevel-edged tip

Set Contains:



Needle: round blunt, 0.4mm



Needle: bevel-edged in 0.4mm and 0.35mm

1

2

Ultra-sharp visible tip

Good transition

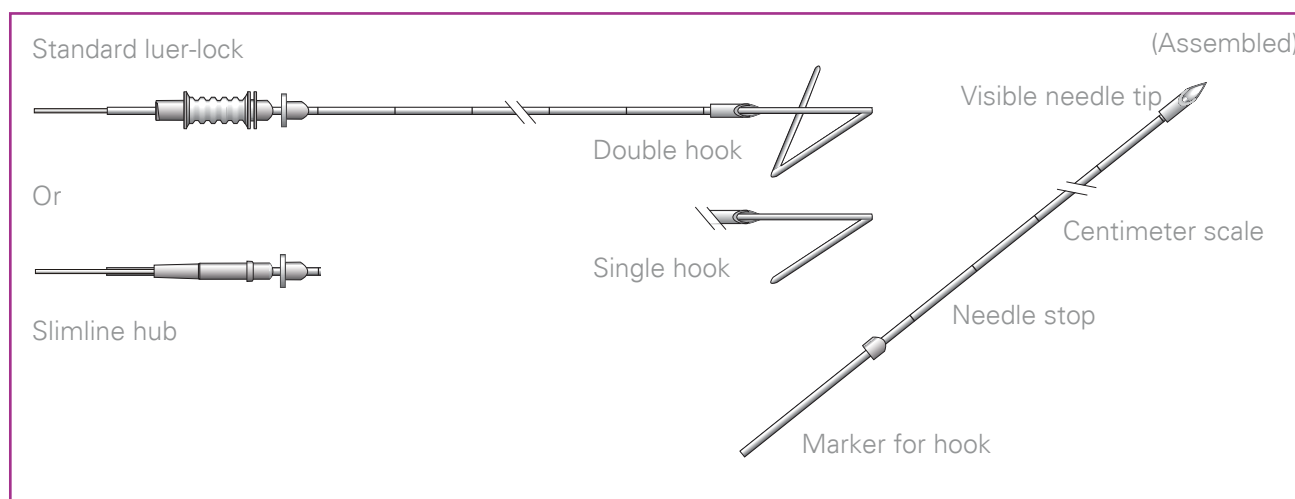


Biopsy Needles and Accessories

Catalogue Number	Description	Unit
GLNBL21-05EC	Brell hook wire 21g 5cm	10/Box

Features

- Calibration markers
- Easy and secure use
- Needle stop
- Echogenic needle tip for easy positioning



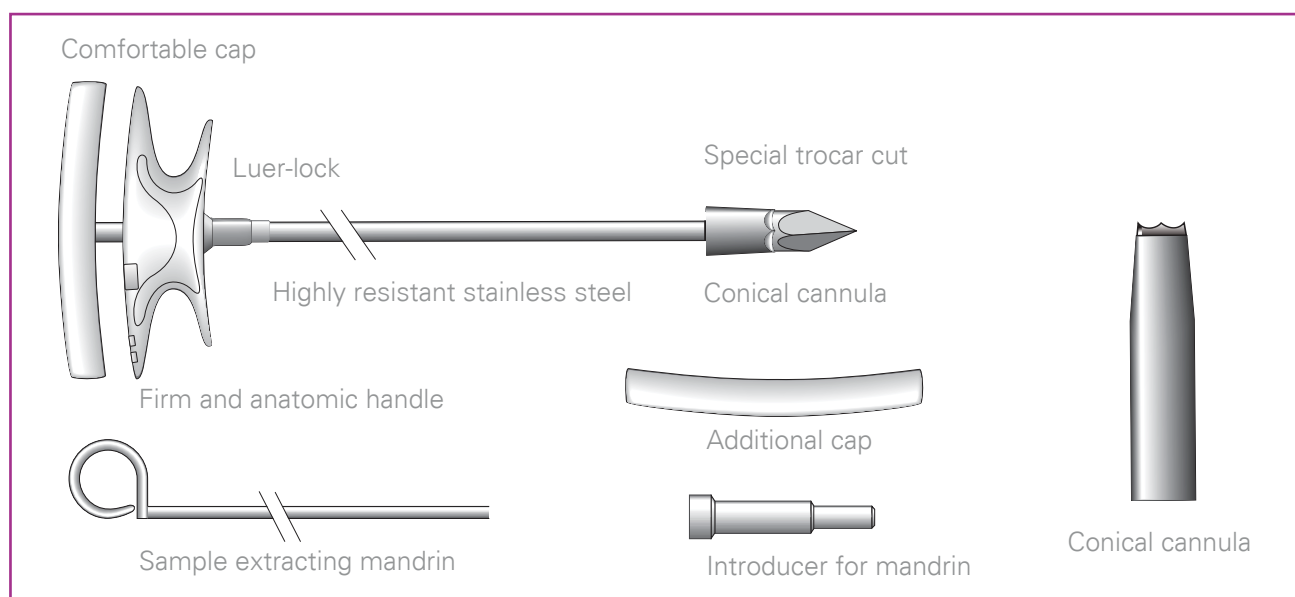
Catalogue Number	Description	Unit
GLNBMA11-10	Bone marrow aspiration biopsy needle (Biomid) 11g 10cm	5/Box
GLNBMA11-15	Bone marrow aspiration biopsy needle (Biomid) 11g 15cm	5/Box

Set contains:

Sample retracting mandrin, introducer for mandrin, closing cap.

Features

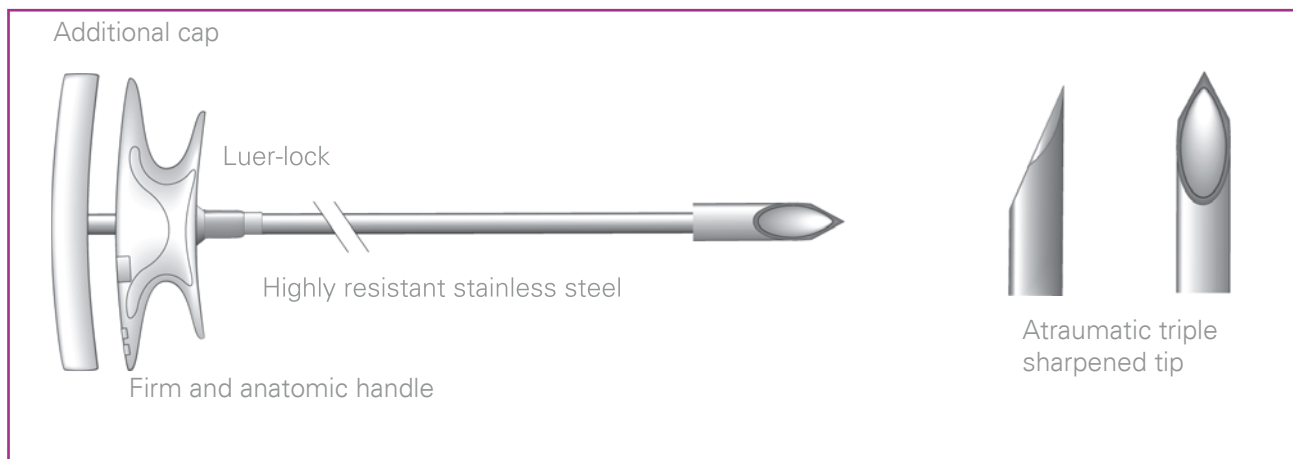
- Safe and comfortable use
- Special Trocar cut and five cutting edges of the conical cannula for safe atraumatic positioning and intract sampling



Catalogue Number	Description	Unit
GLNACRI15-10	Bone marrow harvest needle (Acri) 15g 10cm	5/Box

Features

- Safe and comfortable use
- Special Trocar cut and five cutting edges of the conical cannula for safe atraumatic positioning and intact sampling
- Precise positioning by special needle tip
- Triple sharpened tip
- Ultra visible tip
- High performance stainless steel

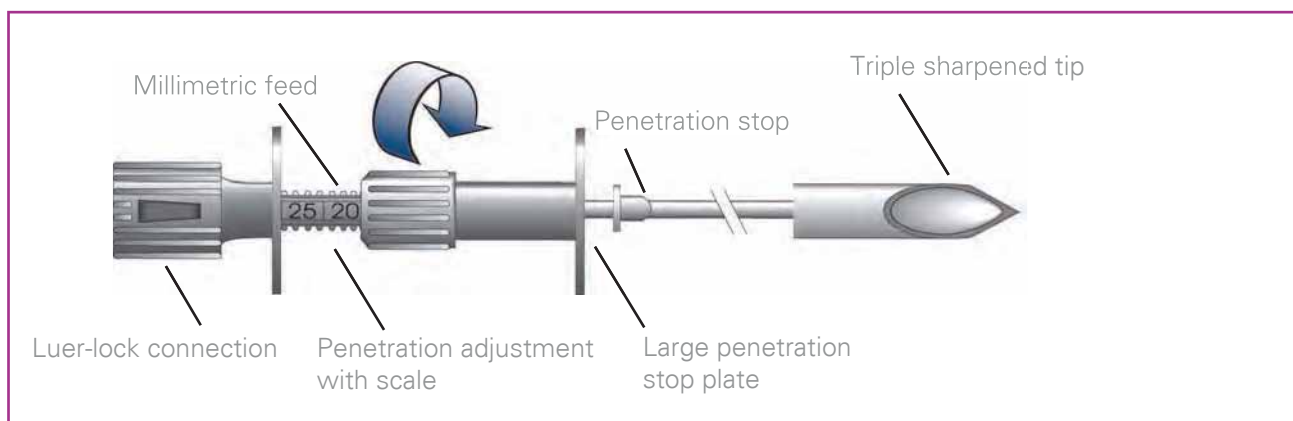


Catalogue Number	Description	Unit
GLNAM15-28	Sternal Iliac aspiration needle 15g 8-45mm (28)	5/Box
GLNAM15-43	Sternal Iliac aspiration needle 15g 23-60mm (43)	5/Box

Features

- Safe and comfortable use
- Special Trocar cut and five cutting edges of the conical cannula for safe atraumatic positioning and intact sampling
- Penetration depth adjustment and needle penetration stopper
- High performance stainless steel
- Luer-lock connector

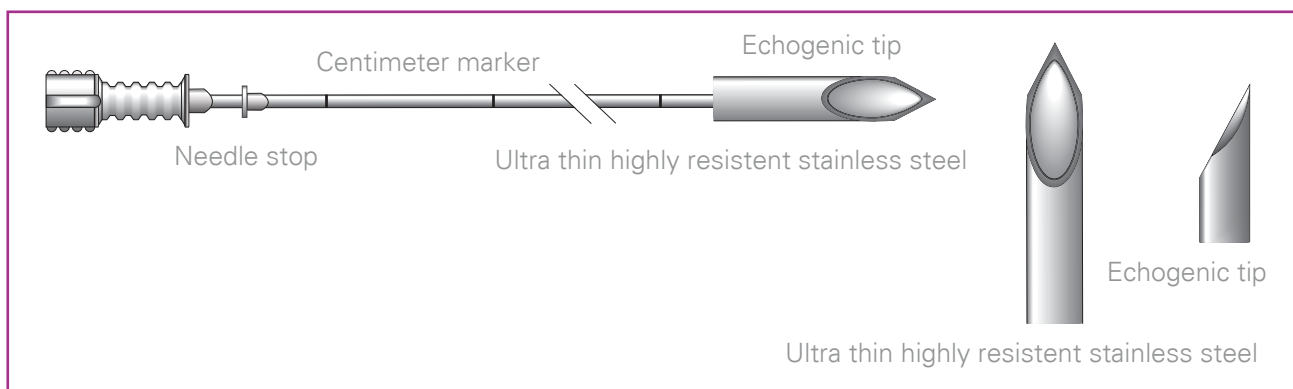
Needles with different lengths and diameters available on request



Catalogue Number	Description	Unit
GLNPA20-15EC	Chiba needle 20g 15cm centimeter marker with echogenic tip	Each
GLNPA22-15EC	Chiba needle 22g 15cm centimeter marker with echogenic tip	Each
GLNPA22-20EC	Chiba needle 22g 20cm centimeter marker with echogenic tip	Each

Features

- Echogenic needle tip for higher visibility
- Easy and secure use
- Ultra sharp special needle tip to avoid vessel laceration, reduce deviation and for a more precise placement and localisation



TR Biopsy System

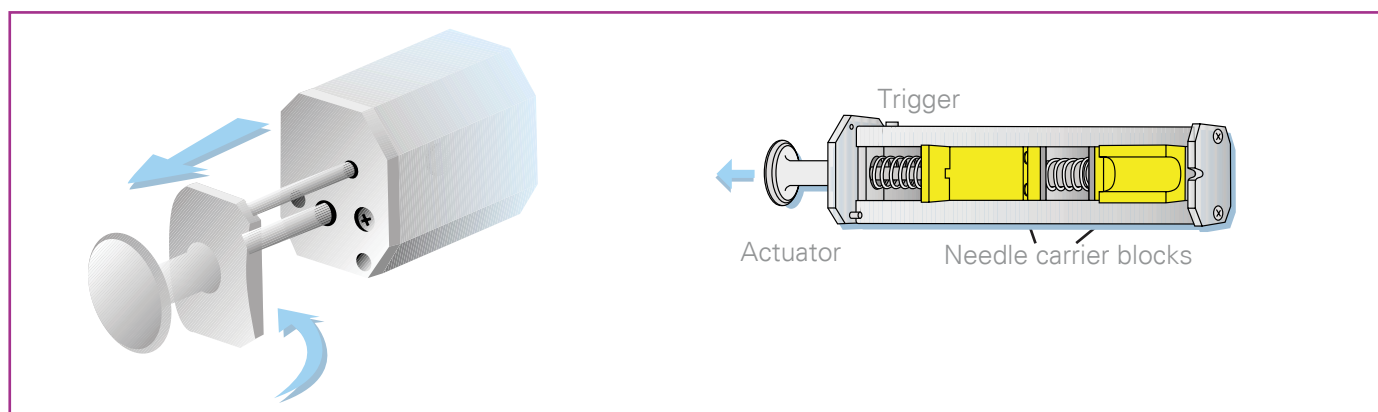
Needle Length - Code Number for Reordering		Calibre Gauge	Diam mm.	Colour Code	Pieces /Box
10cm	25cm				
GLNTR14-10 EC	-	14g	2	Dark Green	10/Box
GLNTR16-10EC	-	16g	1.6	White	10/Box
-	GLNTR18-25EC	18g	1.2	Pink	10/Box

Instructions:

For cocking, pull until the trigger is loaded. Pull back and rotate the actuator to retrieve the sample from the stylet.

Features

- High velocity of TR needle for excellent histological cores
- Minimisation trauma to organ tissue
- No deflection of needle and precise localisation
- Easy specimen retrieval without needle removal
- ABS is reusable, TR needle is disposable



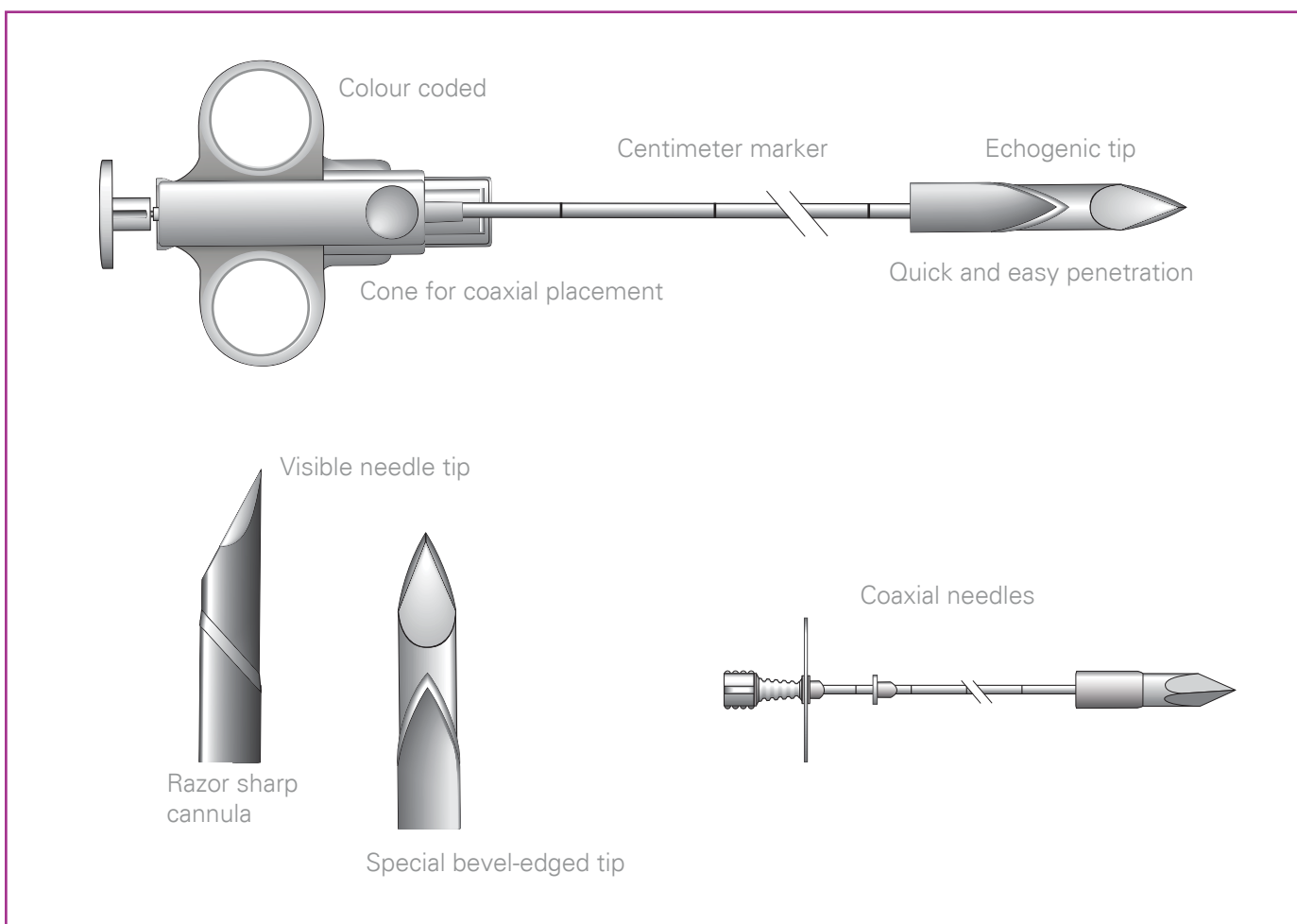
TZ Spring-Loaded Biopsy System

Needle Length - Code Number for Reordering		Calibre Gauge	Diam mm.	Colour Code	Pieces /Box	Introducer Needles Calibre
10cm	15cm					
GLNTZ14-10	-	14g	2	Dark Green	10	13g
GLNTZ16-10	GLNTZ16-15	16g	1.6	White	10	15g
GLNTZ18-10	-	18g	1.2	Pink	10	17g
GLNTZ20-10	-	20g	0.9	Yellow	10	19g

TZ is a disposable semiautomatic system that allows samples to be taken from different tissues, like prostate, kidneys, liver and breast.

Features

- One hand operation
- Notch size 20mm
- Centimeter depth marking with echogenic tip
- Colour code
- Available with coaxial needle



Speed Cut Biopsy System

Gaugue	Needle Length-Code Number for Reordering					Unit
	8cm	10cm	12cm	16cm	20cm	
14g	-	GLNSC14-10EC	GLNSC14-12EC	GLNSC14-16EC	-	10/Box
16g	GLNSC16-8EC	GLNSC16-10EC	GLNSC16-12EC	GLNSC16-16EC	-	10/Box
18g	GLNSC18-8EC	GLNSC18-10EC	-	GLNSC18-16EC	GLNSC18-20EC	10/Box

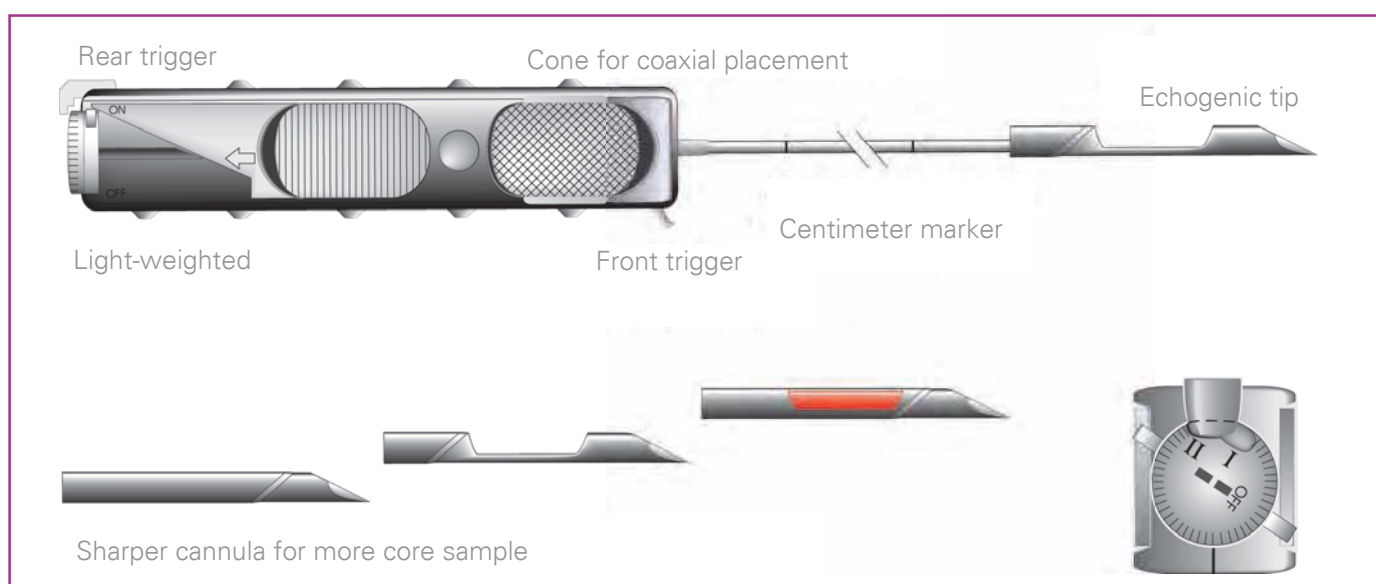
SPEEDCUT is a disposable automatic system that allows samples to be taken from different tissues like prostate, kidneys, liver and breast.

Controlled Biopsy - Two Step Technique, Manual
Switch slider in position 'one' and push the trigger. Only one stylet will be advancing to the cannula. Now switch the slider in position 'two'. The cannula will be advancing coaxially.

Automatic Biopsy - One Step Technique, Automatic
Switch the slider in position 'two' and push the trigger. Automatic advancement first of the stylet and after of the cannula.

Features

- One hand operation
- Procedure available with automatic or semiautomatic system
- Variable throw: 15-22mm
- Choice of two firing triggers (front and back)
- Two stage arming to reduce effort
- Available with coaxial needle



Sharps Containers

Catalogue Number	Description	Unit
JCMTAD01005487	1.4 litre sharps container	Each
JCMTAD01005490	8.0 litre sharps container	Each
JCMTAD01005457	23 litre sharps container (nestable)	Each

Fast Find Grid™



Disposable CT Biopsy Grid

For Rapid, Accurate CT Biopsies Everytime

A low-cost positioning grid for quick, accurate CT biopsies and drainage procedures.

The Fast Find Grid is a simple disposable tool that provides total accuracy and will find the point of entry FIRST time, EVERY time.

The Fast Find Grid is:

- Accurate
- Quick
- Requires no guesswork
- No repositioning
- Disposable and therefore eliminates cross-contamination

All benefits result in greater comfort for your patient.

SAVE TIME during your interventional procedures by:

- Increasing the accuracy of your needle placement
- Cutting down the number of times you need to re-position a needle or re-scan the patient



The Fast Find Grid is useful for all needle biopsies and drainage procedures and can be applied to any part of the patient's anatomy.

1. Remove the backing tape
2. Place over the area of interest and then scan over this area
3. Note the 12 dots on the skin surface
4. Determine which dot best represents the best point of entry
5. Mark through the area using a TGA approved skin-marking pen, where the laser light crosses the line
6. Remove the grid and perform your biopsy or drainage

Fast Find Grid™ Because with any point of entry, you start with a mark.



Features

- Grid Produces easily identifiable dot pattern on each CT image for positive reference
- Flexible grid conforms to patient's body
- Self-stick tape strips for assured adherence to skin
- Porous material allows marking of patient skin without having to remove the grid
- 1cm markings for precise needle placement
- Disposable to prevent cross contamination

Catalogue Number	Description	Unit
WBMG6500	Fast find grid	25/box

MRI Accessories

Catalogue Number	Description	Unit
BDX240-382	MRI Ear Plugs	200/Box
BXD240-091	MRI Safe IV Stand	Each
BDX240-189	MRI Safe IV Pole	Each
BDX240-373	MRI Safe Stethoscope	Each
BDX240-100	MRI Safe Patient Stretcher	Each
BDX240-805	MRI Safe Wheelchair 18 inch	Each
BDX240-807	MRI Safe Wheelchair 22 inch	Each



BDX240-091



BDX240-805



BDX240-373

